

# DATASHEET

## Canned motor pump

Motor output  
120W 24V DC



### RSPM 1.5

Variable speed

Magnetisch gekuppelte Kreiselpumpe, einstufig, horizontal, normal ansaugend, in Blockbauweise.

		RSPM - 1.5
Motorleistung	[W]	120
Spannung (DC)	[V]	24
Nennstrom	[A]	5,7
Max. Strom	[A]	7,5
Nennzahl	[min. <sup>-1</sup> ]	6000
Förderhöhe max.	[mWS]	15
Förderleistung max.	[l/min.]	80
Analog input		0 – 5 V oder 0 – 20 mA
Digital input		1

#### Materials:



#### Technical data

Medium-temperature max.	PVDF	60 °C	
System-pressure max.	PVDF	3,0 bar	
Viscosity	< 160 Pa s		
Electrical motor	24V DC, Protection IP65, Isolationclass F, integrated temperature control, Chemical resistant 2K-painting RAL5011		
Options	12V DC, Special paintings and colors		<p>Variable speed -&gt; 600 - 5700 rpm</p> <p>Values based on water at 20 °C (68 °F) / Measured value +/- 10%</p>

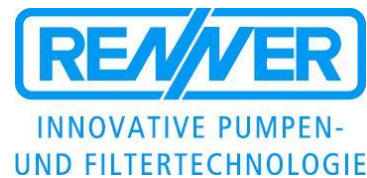
# DATASHEET

## Canned motor pump

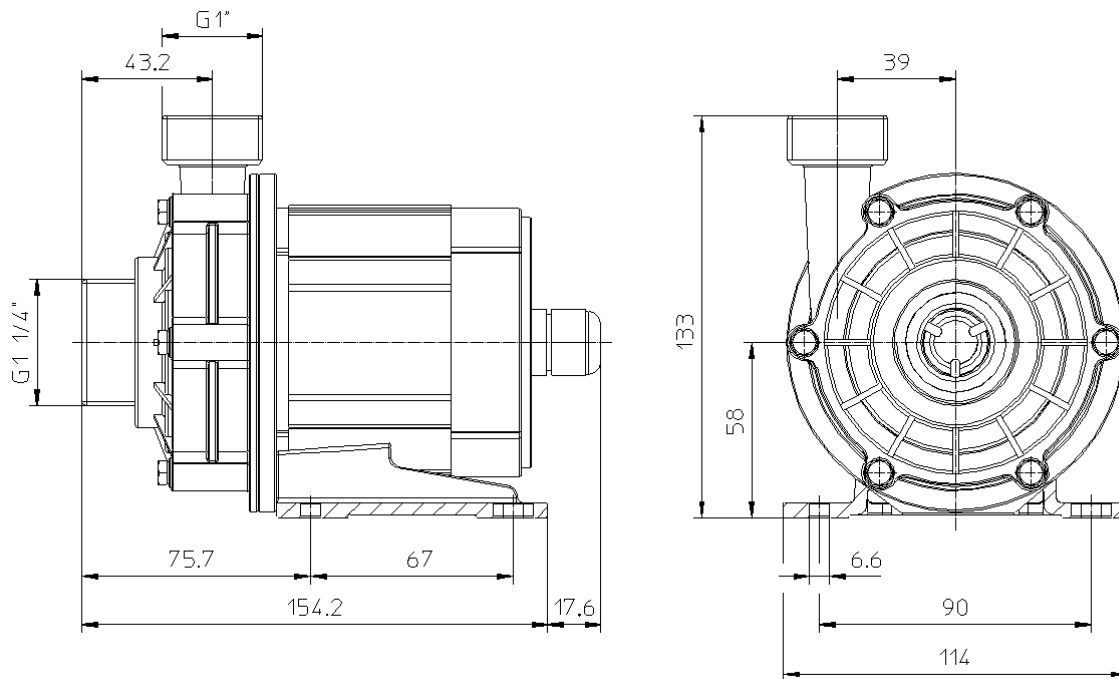
**RSPM 1.5**

Motor output  
120W 24V DC

Variable speed


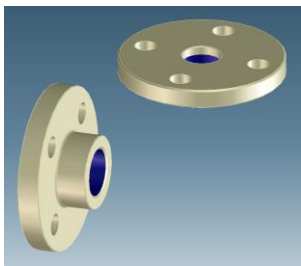
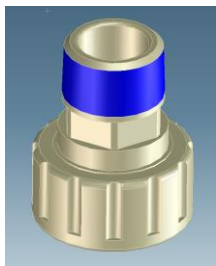


### Dimensional drawings [mm]



Motor dimensions can be different ! ● Subject to technical alterations !

### Accessories / Options

Hose connection	Flange (DIN, ANSI)	NPT - Adapter
 <p>13mm 18mm 21mm</p>	 <p>DN20 PN10 (DIN EN 1092-3) DN25 PN10 (DIN EN 1092-3) 0,75" (ANSI Class 150) 1" (ANSI Class 150)</p>	 <p>NPT (M) 1" NPT (M) 3/4"</p>